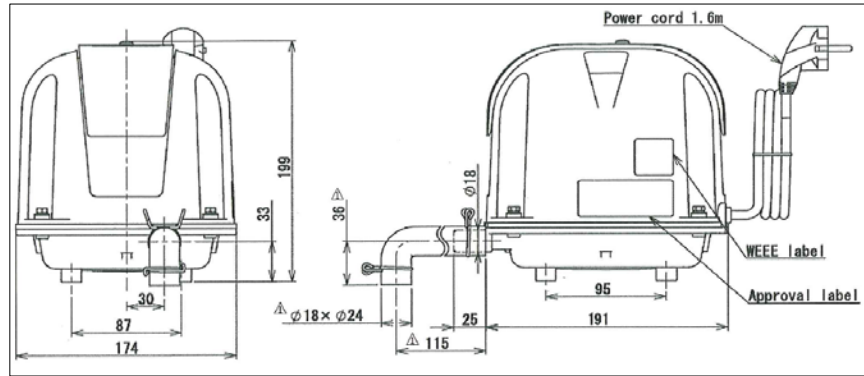


# Linear Diaphragm Pumps

AP-40, AP-60, AP-80

**Flow at rated pressure up to 80 l/min**



Dimensions in mm

Pneumatic Data			
Description	AP-40	AP-60	AP-80
Part number	52500453	52500454	52500455
Flow at rated pressure	46 l/min	66 l/min	86 l/min
Rated pressure	120 mbar	150 mbar	150 mbar
Operating range	50 to 230 mbar	100 to 300 mbar	100 to 300 mbar

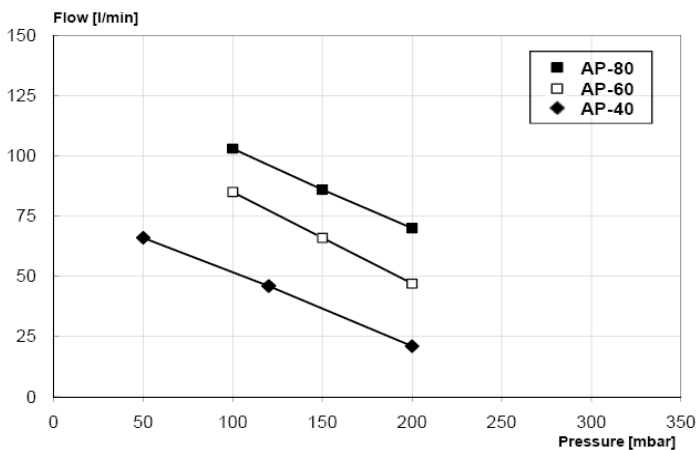
Electrical Data			
Motor type	linear drive	linear drive	linear drive
Nominal voltage	230 V 50/60 Hz	230 V 50/60 Hz	230 V 50/60 Hz
Power consumption at 200 mbar	0,18 A/ 21 W	0,16 A/ 28 W	0,28 A/ 46 W
Power consumption at rated pressure	0,18 A/ 29 W	0,18 A/ 35 W	0,29 A/ 51 W

General Data			
Ambient temperature	-10 to 40 °C	-10 to 40 °C	-10 to 40 °C
Weight	4,3 kg	4,7 kg	4,7 kg
Outlet diameter	18 mm	18 mm	18 mm
Average noise level	34 dB (A)	38 dB (A)	38 dB (A)

# preliminary

Please refer to operation and service manual for additional information.  
All listed values are measured at standard atmospheric conditions and at 50 Hz.

## Flow Curves



The information presented in this material is based on technical data and test results of nominal units. It is believed to be accurate and reliable and is offered as an aid to help in the selection of Thomas products. It is the responsibility of the user to determine the suitability of the product for the intended use and the user assumes all risk and liability whatsoever in connection therewith. Thomas does not warrant, guarantee or assume any obligation or liability in connection with this information.